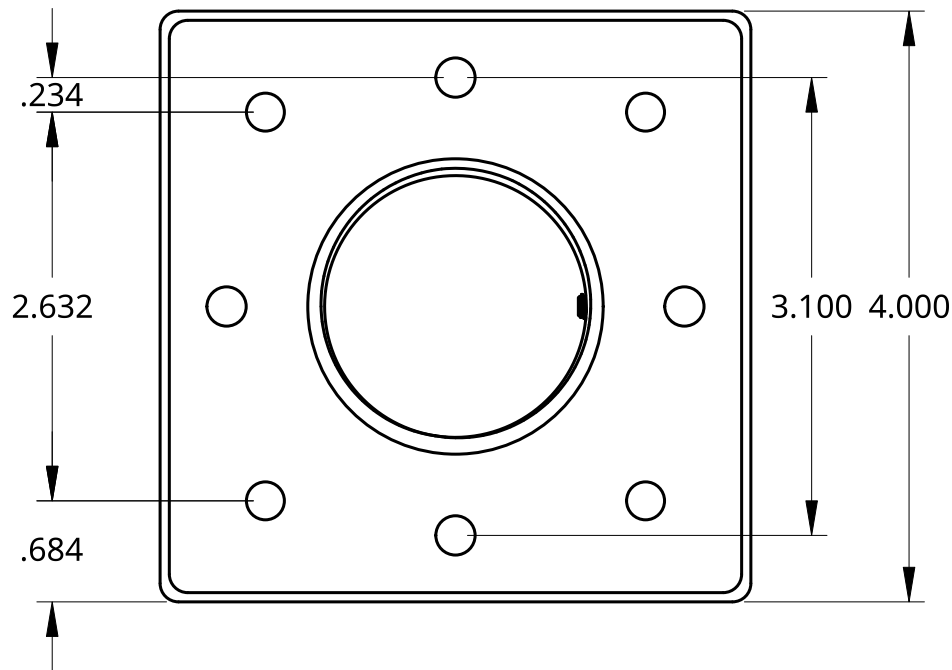
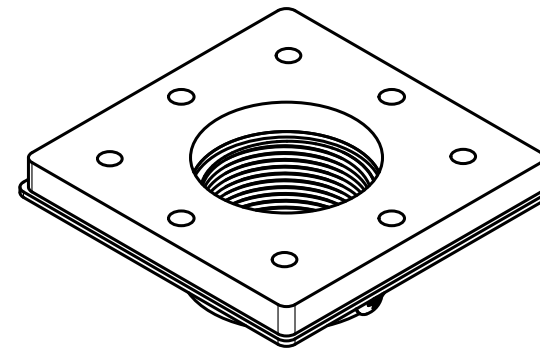


2

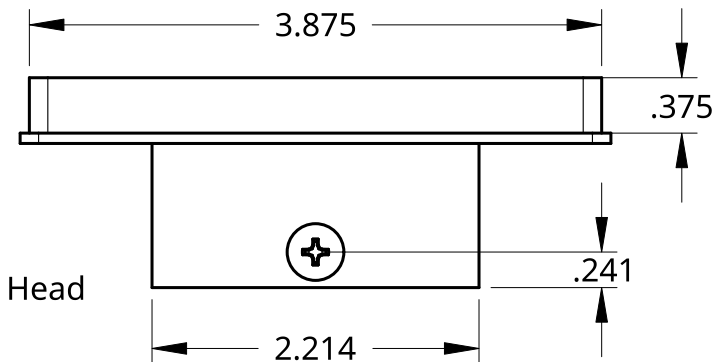
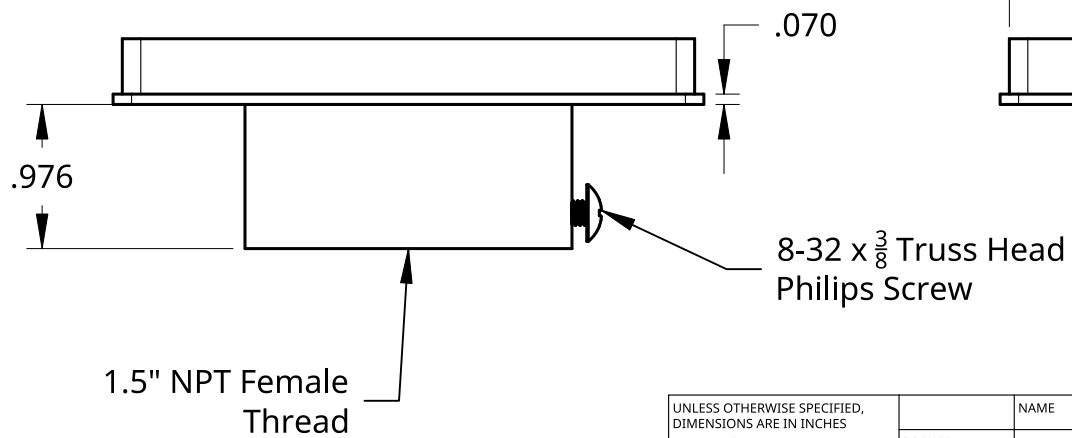
1



SCALE 1:1.3



SCALE 1:1.3

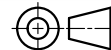
1.5" NPT Female  
Thread8-32 x  $\frac{3}{8}$  Truss Head  
Philips ScrewUNLESS OTHERWISE SPECIFIED,  
DIMENSIONS ARE IN INCHES.XX = ±.0-  
.XXX = ±.00-  
.XXXX = ±.000-  
ANGULAR = ± °  
FRACTIONAL = ±

SURFACE FINISH

DO NOT SCALE DRAWING

BREAK ALL SHARP EDGES AND  
REMOVE BURRS

THIRD ANGLE PROJECTION



	NAME	DATE
DRAWN	Bryan Dierking	05/01/2021
CHECKED	Hannah Brent	
APPROVED	Nigel Brent	
MATERIAL	FINISH	

TITLE		
Anti-Vibration Ceiling Plate NB-PCP		
SIZE <b>A</b>	DWG NO.	REV.
SCALE 1:1.3	WEIGHT	SHEET 1 of 1

2

1